



## Building Multilingual Solutions Using 2007 SharePoint Products and Technologies

Aku Heikkerö, Senior Consultant, Microsoft Corporation  
February 12th to 14th, 2007  
Convention Center  
Hotel Estrel, Berlin, Germany

 Microsoft®  
**Office SharePoint®  
Server 2007**

# Session Objectives And Takeaways

- Session Objective(s):
  - Describe new SharePoint' features that can be used to address multilingual needs
  - All in one Demo
- Variation is the key feature to build multilingual web sites
- Some of the functionalities are not provided OOB and require some tweaks

# Agenda

- What are customers asking for
- Multilingual scenarios
- How things change
- Old vs. New
- Deep on Features:
  - Language Packs
  - Variation
  - Search
- High Scalability scenarios

# What Customers are Asking for?

- Manage content in different languages
- Navigate an Internet site or a Corporate portal in my preferred language
- Collaborate with people in different regions in different languages on the same application
- Manage and administer my spaces using my preferred language
- Search and browse content across my company using my preferred language

# Multilingual Scenarios

- Collaboration Team Sites
  - Single island of information
  - Teams/groups of individuals collaborating on content
  - Typically have a small set of people who understand a common language

# Multilingual Scenarios

- Corporate / Enterprise Collaboration Portal
  - Intranet Portal
  - Geographically distributed
  - All content could be provided in different languages or only a specific subset of content may have this requirement (e.g., company news).
  - Personal / Spaces in different languages

# Multilingual Scenarios

- Enterprise Search Portal
  - Different Intranet Portals in different languages where users manage and share content in their preferred language
  - Typical scenario in enterprises where each subsidiary needs a single divisional portal for local content
  - Single centralized place where users can land to perform a search on all content on all divisional portals in the company using a friendly UI that provides search options in their preferred languages

# Multilingual Scenarios

- Internet Publishing Portal
  - Same content published in many languages
  - User preferred language redirection or languages selector
  - Content editors:
    - A way to create and keep content synchronized in different languages
    - Content Approval
    - Export for translation

# How Things Change

SPS 2003

MOSS 2007

Area → Site

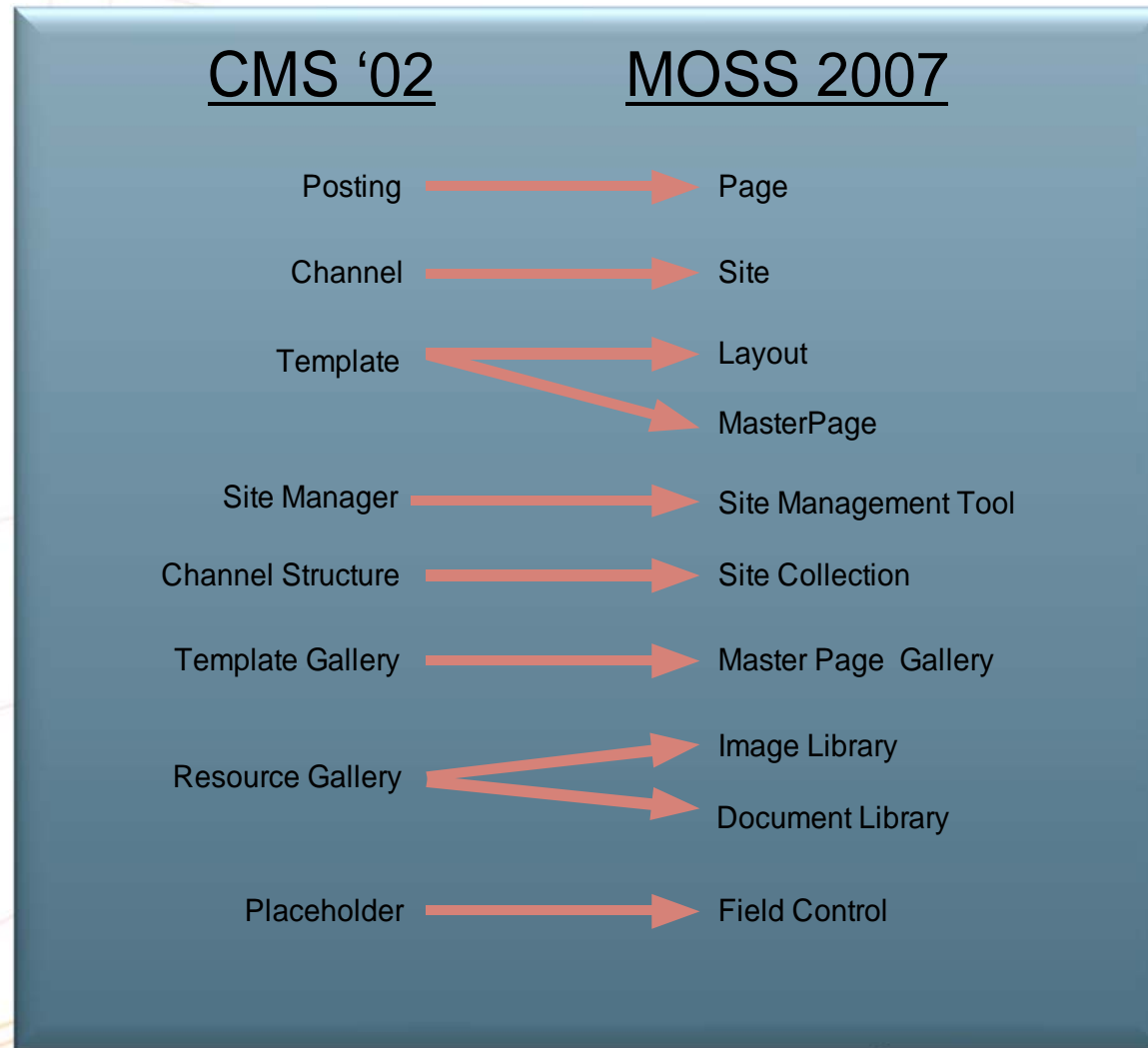
Portal → Site Collection

Web Part Page → Layout  
Web Part Page → MasterPage

List Columns → Content Type

SharePoint®  
Server 2007

# How Things Change



SharePoint®  
Server 2007

# Old ...

## CMS 2002

- MLS **design** approaches
  - Many languages on a single page
  - Many pages each with a single language
- Tools and Features
  - Connected Pages
  - Template Swapping

## SPS 2003

- MLS simulation approaches
  - One language per site (WSS)
  - Same language per Portal (SPS)
  - One simulated language per area
- Tools and Features
  - Language Template Packs only for WSS v2

# ...vs. New

- MOSS 2007
  - Site and Page Variations feature
  - Managed site hierarchies
  - Managed related pages
- Tools and Features
  - Master Pages
  - Variation Labels
  - VariationRoot.aspx
  - Variation Navigation Control
  - Layout-to-Label association
  - Language Packs

# Language Packs

- Allow site owners to create SharePoint sites and site collections in multiple languages
- Two different editions of Language Packs:
  - SharePoint Language Pack:
    - Windows SharePoint Services V3
  - Office Server Language Pack:
    - Office Server System 2007 (MOSS, Form Server, Project Server, Search Server)
  - Note: The English Server Language Pack is not released as a stand-alone language pack, but is included in the "Server Multiple Language" Language Pack
- Languages packs are available for both 32-bits and 64-bits platforms (different packages)

# Multilingual User Interface vs. Multi-lingual Support

- Variations is a feature for managing sites with content in many languages.
- MUI would allow different users to see the command space of the same site in different languages
- MOSS 2007 allows each sub-site in a site collection to be of different languages
- Variations provides process and tools for having translations of a source site.

*Publishing Sites will provide MLS support by way of the Variations features and do not intend to deliver MUI*

# Variations Feature

- Site Admin can explicitly name the variations to support, these are the Variation Labels
- System Auto-Creates peer sites and pages
- Relationships are loosely coupled and managed by means of Variation Labels and a relationship list
- Source and targets pages can either share or use different look and feel.
- Page Variations are always of the same content type as the source page
- Target Variation are derived from a Source Page
- Target variations are created as minor version of a page
  - Page Variations have their own approval
  - Page Variations have their own Start and End date

## Variation Labels

Use this page to configure variation labels.

### Variation Labels

[New Label](#) | [Create Hierarchies](#)

Label	Language	Locale	Is Source	Description
de-De	English (United States)	German (Germany)	No	
jp-JP	Japanese (Japan)	Japanese (Japan)	No	
en-US	English (United States)	English (United States)	Yes	
es-ES	English (United States)	Spanish (Spain)	No	
fr-FR	English (United States)	French (France)	No	
Mobile	English (United States)	English (United States)	No	

### 1. Configure Variations Settings

→ New Redirect ASPX at Root

### 2. Create Variations Labels

**en-US**, es-ES, de-DE  
fr-FR, jp-JP, mobile

### 3. Set "en-US" as source

### 4. Create Variation Hierarchies

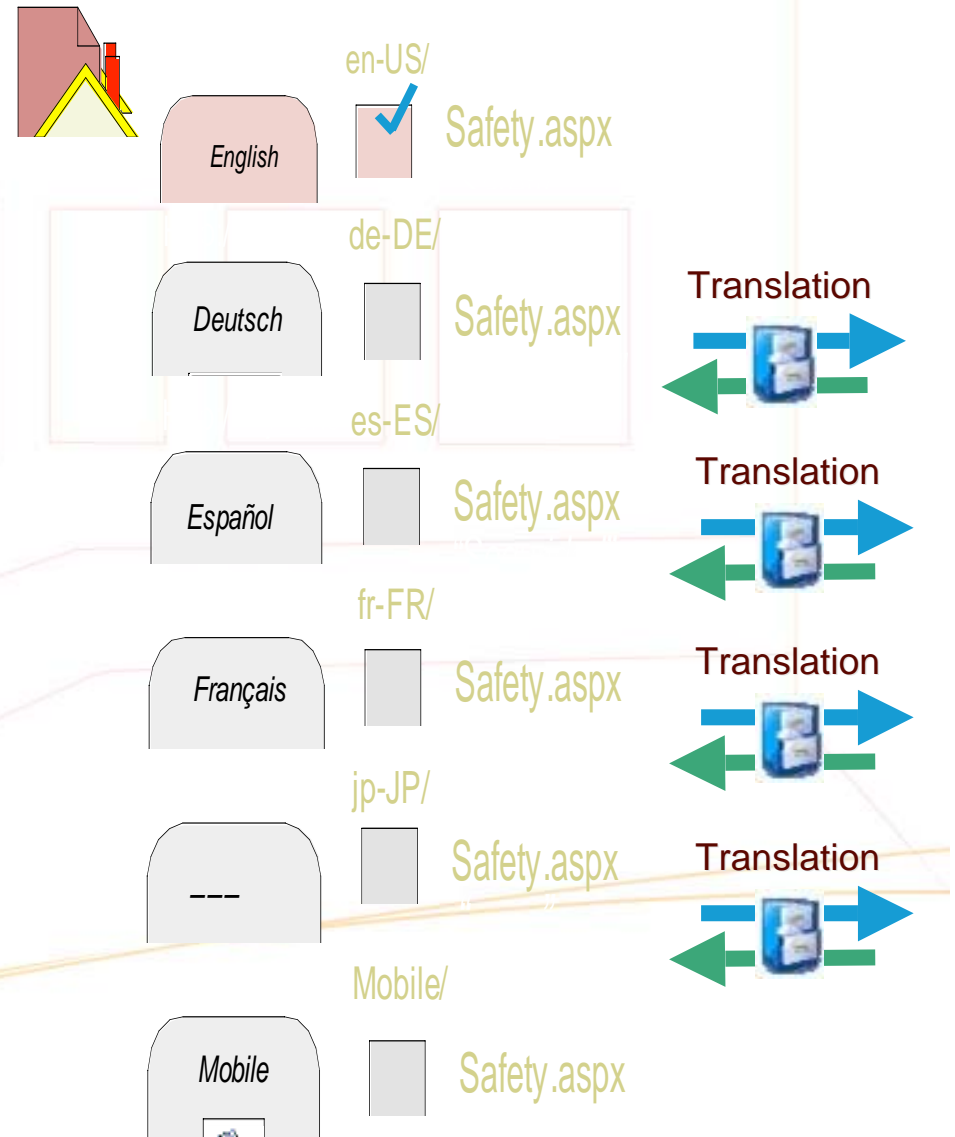
→ New Sites and Pages are created

### 5. Create New Source Page

### 6. Approve Source page

→ Target pages are created

### 7. Translate and approve each Target pages



# Setting Up Variation

# demo

# Variations Demo Recap

- Variation Settings

- Variation Home
- Automatic creation
- Recreate Deleted Target Pages
- Web Part management
- Mail
- Resource Management

- Variations Labels

- source vs. target
- Language and Regional settings
- Layout-Label association

- Understanding Approve as the trigger

- You can also use Manual Creation and Updates of Target pages

# Variations Redirect

- When Variation Labels exist and hierarchies are created the Welcome page of the Variation home is reset to a new ASPX page,



- VariationRoot.aspx includes redirection Logic
- What happened to my Default page?  
Still there - just no longer the default welcome page.
- Variationroot.aspx will redirect users that land on the Variation home by their Browser accept lang.

# Variations Picker Control

- Provide "label only" navigation through Variation's hierarchy
- Has a Data source with a standard VS.net control
  - Developers can customize rendering without customizing logic
- Displays the Label's Display name



- When a users clicks
  - LinkToPeers – clicking the label takes you to the page's peer in that label
  - LinkToParent – takes you to the parent of the peer page
  - Link toTopSite – takes you to the top web in that label
- By default not included in any master pages

# Variations Picker Control

- To "enable" Picker Control on Publishing Sites:
- Under Web Application directory locate the file
- \_controltemplates\variationslabelmenu.aspx

```
<%@ Control Language="C#" %>%@Assembly  
Name="Microsoft.SharePoint.Publishing, Version=12.0.0.0,  
Culture=neutral, PublicKeyToken=71e9bce111e9429c"%
```

```
%@Register TagPrefix="CMS"  
Assembly="Microsoft.SharePoint.Publishing, Version=12.0.0.0,  
Culture=neutral, PublicKeyToken=71e9bce111e9429c"  
namespace="Microsoft.SharePoint.Publishing.WebControls"%
```

```
<%-- <cms:VariationsLabelEcbMenu id ="varlabelmenu1"  
DataSourceID="LabelMenuDataSource"  
DisplayText=" <%$Resources:cms,VariationLabelMenuTitle%>"  
IsCallbackMode="true" runat="server" /> --%>
```

```
<cms:VariationDataSource id="LabelMenuDataSource"  
LabelMenuConfiguration="1" Filter="" runat="server" />
```



Office SharePoint®  
Server 2007



demo

Variation in Action

 Microsoft®  
Office SharePoint®  
Server 2007

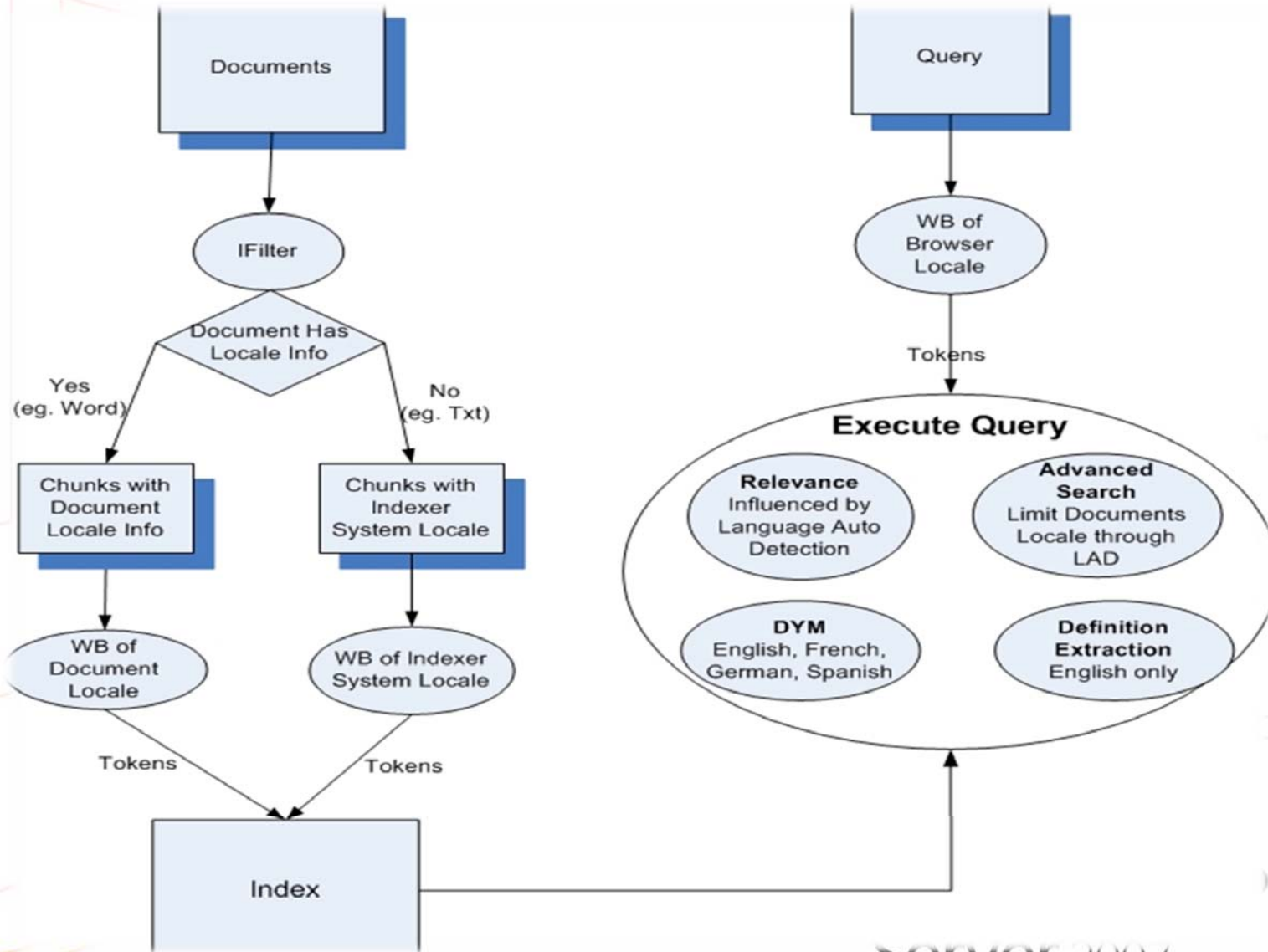
# Variation Exporting /Importing Content

- Export produces a cab file of all pages in the site
- It uses Content Migration API (also referred as PRIME)
- The package can be placed on the file system and made available to a translation system or vendor
- Importing will over-write what is on the target site
  - It will create a minor version of the document that needs to be approved
  - This is a opportunity for partners and 3<sup>rd</sup> party process to translate or otherwise process the content in the target sites

# Variations Constraints and Rules

- One hierarchy per site collection
- One – to – Many
- Not for all kind of content
  - *Linked content*
  - *Sub-sites*
  - *All target sites contents are kept in synch*
- Be aware of Web Parts
  - Admin can control Web Parts propagation
  - *IWebPartVariationUpdate: Update*
- Managing and approve new versions on target sites

# Search Language Flow



server 2007

oint®

# Search Features

- Word Breakers & Stemming
  - *Stemming is not enabled for all languages by default*
- Noise Words Dictionary & Thesaurus
  - *Customizable per language*
- Custom Dictionary
  - *Disabled by default*
- Language Auto Detection
  - Available from Advanced Search and used in ranking
- Did You Mean
  - English, French, German, Spanish languages only
- Diacritic
  - *Disabled by default*
- Search Center site and Web Parts
  - *One per site collection by default*



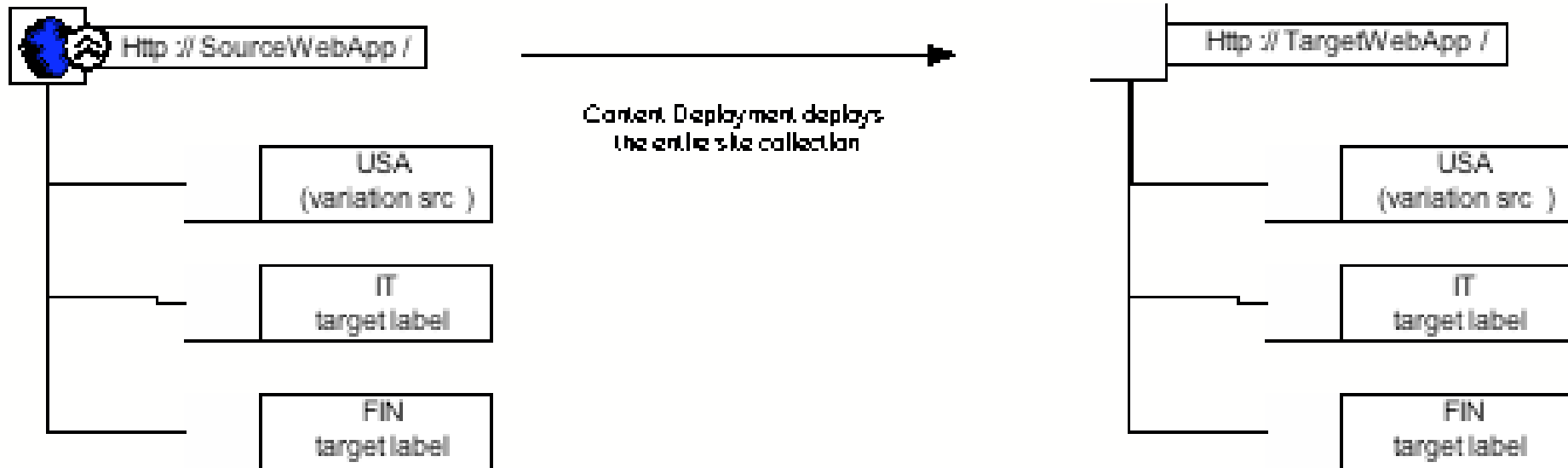
Microsoft®

Office SharePoint®  
Server 2007

# High Scalability Scenarios

- Same Content on all languages:
  - Content and hierarchy are defined on source web application
  - Content deployment replicates it across web applications
  - Content editors will always edit content on source site collection
    - This ensures exactly the same content across web applications

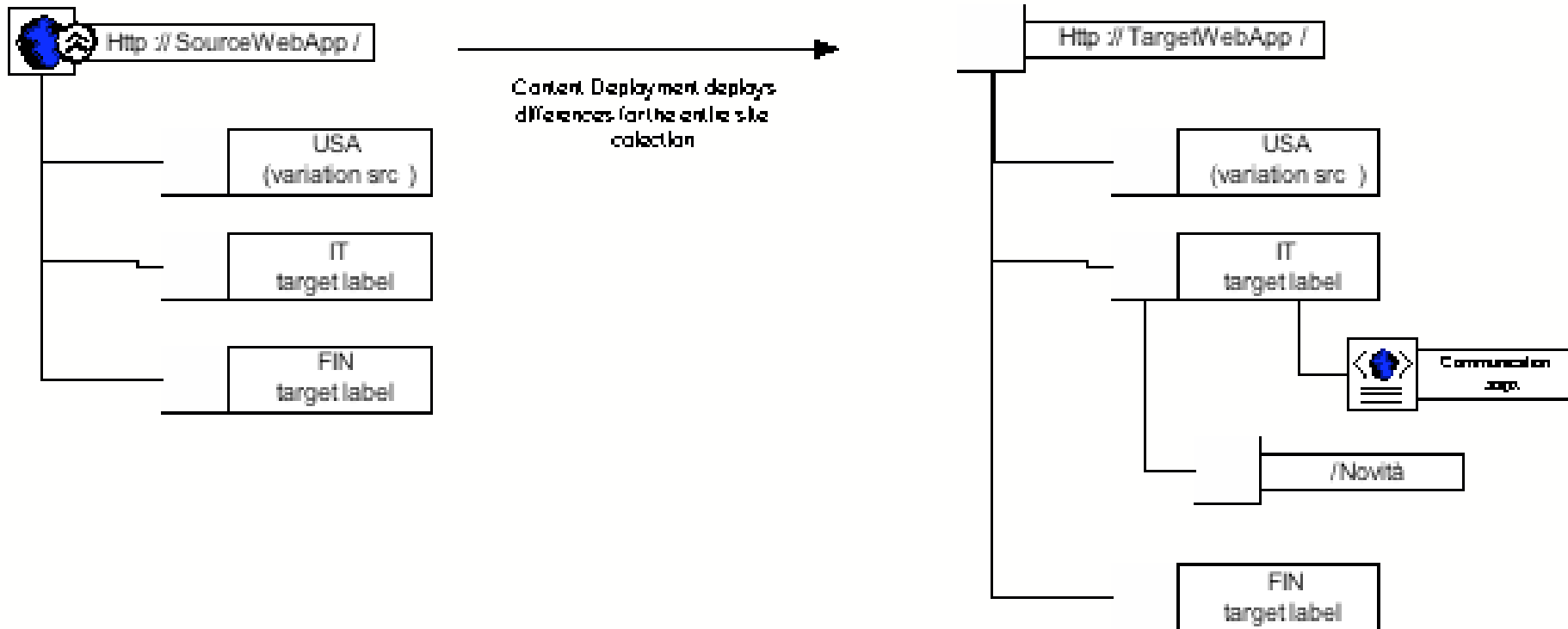
# High Scalability Scenarios: Same Content on all Languages



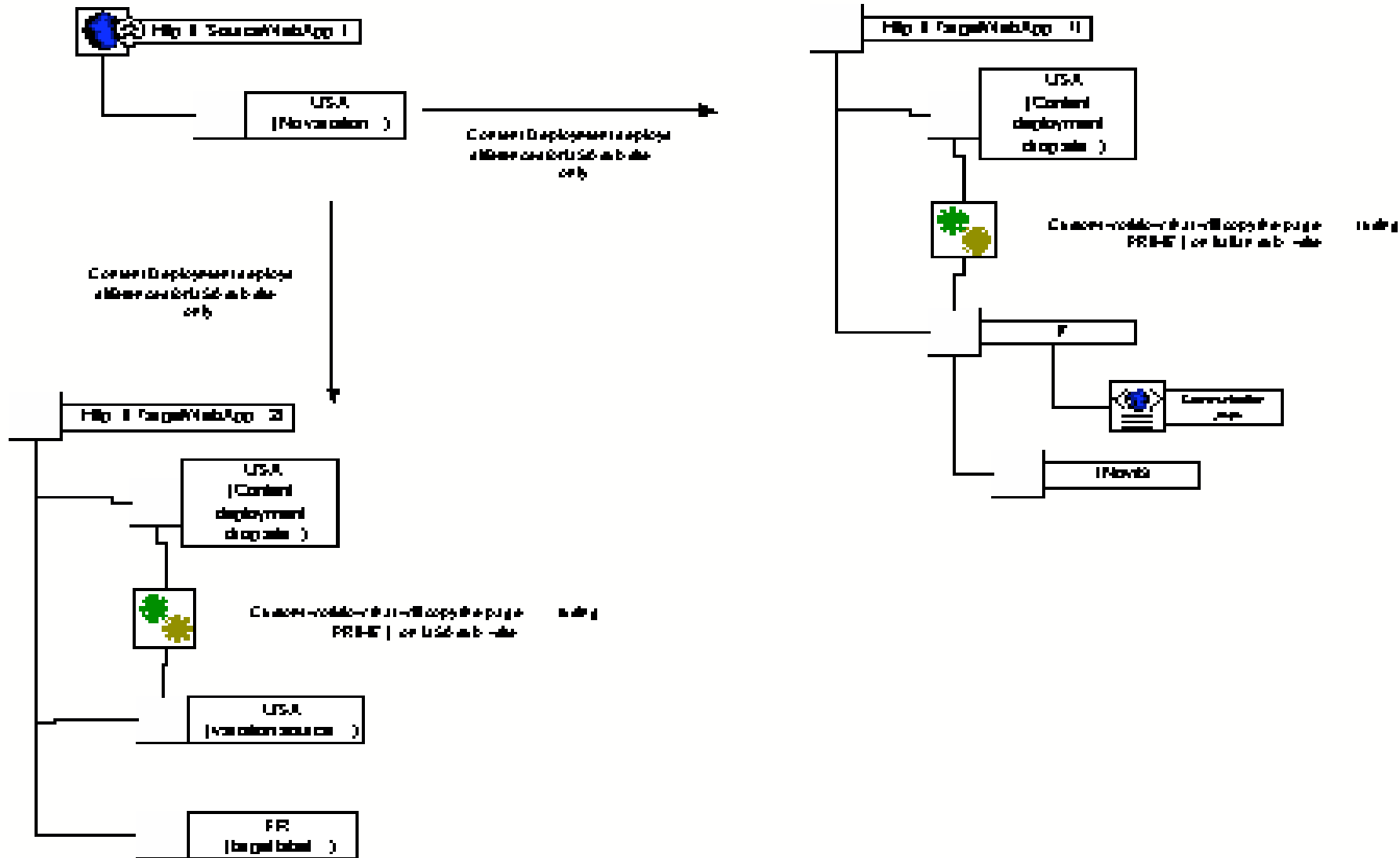
# High Scalability Scenarios

- Different content on different languages:
  - If local content is few (eg. Local news):
    - Content and hierarchy are defined on source web application
    - Content deployment replicates it across web applications
    - On target site collection content editors create local content
  - If global content is few:
    - Content and hierarchy if required (eg- Canada) are defined on each target web application
    - Content Deployment only replicates global content across target web applications
    - Requires custom business logic to synchronize global content to local Variation hierarchy
    - Requires custom business logic to copy new content on local localized sites.

# High Scalability Scenarios: Different content on different languages



# High Scalability Scenarios: Different content on different



# Related Content

- **SharePoint Languages Packs**
  - Available at <http://www.microsoft.com/downloads>
- **Office Server Language Packs**
  - Available only through licensing channels:
    - : <https://licensing.microsoft.com/eLicense/L1033/Default.asp>
    - : <https://eopen.microsoft.com/EN/default.asp>
- **White paper: Plan for building multilingual solutions**
  - <http://technet2.microsoft.com/Office/en-us/library/87065c9d-d39d-479d-909b-02160ec6d7791033.mspix?mfr=true>

# SharePoint Conference Hands-on Labs

The following is the list of Hands-on Labs available in SAAL C relevant to this presentation:

- HOL101 What's New in Microsoft Windows SharePoint Services 3.0 Feature Walkthrough
- HOL213 Microsoft Office SharePoint Server 2007 Installation and Configuration
- HOL214 Microsoft Office SharePoint Server 2007 Enterprise Features Administration
- HOL313 Designing Content-Driven Web Sites with Microsoft Office SharePoint Server 2007

# SharePoint Conference Hands-on Labs (2)

The following is the list of Hands-on Labs available in SAAL C relevant to this presentation  
<edit this list to remove all not relevant>:

- HOL241 Using Microsoft Office Excel 2007 Spreadsheets for Web Service-Based Calculations and Browser Rendering
- HOL262 Building Microsoft Office InfoPath 2007 Forms that Run as Both Rich Client and Browser Applications
- HOL301 Using Features to Provision Sites in Microsoft Windows SharePoint Services 3.0
- HOL302 ASP.NET 2.0 Interoperability with Microsoft Windows SharePoint Services 3.0 - Web Parts and Master Pages
- HOL303 Creating Workflows for Microsoft Windows SharePoint Services 3.0
- HOL304 Using List Events in Microsoft Windows SharePoint Services 3.0
- HOL305 Microsoft Windows SharePoint Services 3.0 Site Templates
- HOL311 Getting Started with the Business Data Catalog in Microsoft Office SharePoint Server 2007
- HOL312 Search Administration and Customization in Microsoft Office SharePoint Server 2007
- HOL314 Microsoft Office SharePoint Designer 2007 - CSS and the Data Form Web Part

# Sweepstake

Complete your Feedback form  
and have a chance  
to win a Zune!\*



\* English US version

# Q & A

 Microsoft®  
Office SharePoint®  
Server 2007



*Microsoft®*  
*Your potential. Our passion.™*

 Microsoft®  
**Office SharePoint®  
Server 2007**

© 2006 Microsoft Corporation. All rights reserved.  
This presentation is for informational purposes only. Microsoft makes no warranties, express or implied, in this summary.